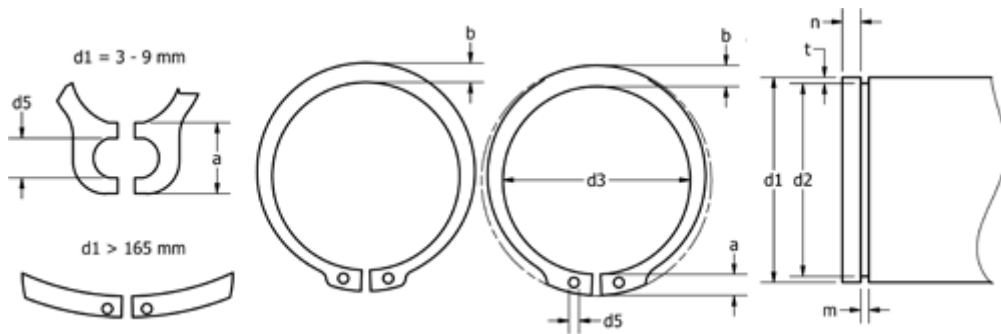


Data Sheet



Article number: 0101224
 Description: Retaining ring A 460 DIN 471
 Spring steel
 Note: Fitted with ZGA pilers

Measures



a max	=	FN kN	= 1426.0	s	= 7.00
AN mm ²	= 8557.0	FRg kN	= 124.00	t	= 6.00
b	= 26.0	FR kN	= 1443.00	tol	= -1.00
d1	= 460	g	= 7.0	tol	= -0.15
d2	= 448.0	K kN-mm	= 3305.00	tol	= +1,00-2,00
d3	= 440.0	m min	= 7.20	Tong	= ZGA-7
d5 min	= 6.0	n abl x 1000	= 1.0	Weight kg/1000	= 999.999
Description	= A460	Nominal drive	= 18.0		